



Kranlyft

Maeda MC285CRM(E)

Technical specifications



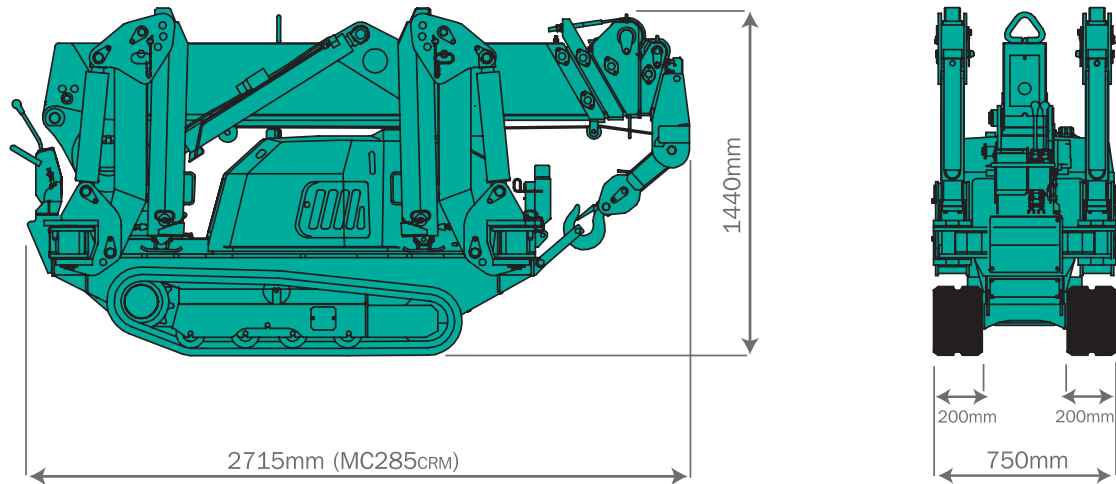
Offering the best balance of power and design

- Slim (750mm) Wide Body
- Programmable Moment Limiter
- Rubber Tracks
- Hydrostatic Transmission
- Tilt Sensor/Alarm
- Track System for Easier Manoeuvring
- Powerful Winch with Hydraulic Disc Brake
- Fully Automatic Pentagonal Section Boom
- Cable Remote Controller

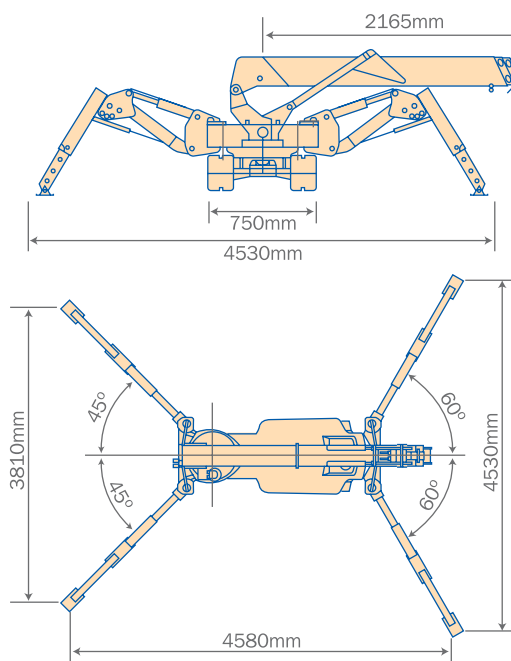
Specification		
Model		MC285CRM(E)
Crane capacity		2.82 t x 1.4m
Max. working radius		8.205m
Max. lifting height		8.7m
Hook speed		8m / min. (4 falls, 4th layer)
Single line speed		32m / min. (4th layer)
Hoist rope		IWRC 6 x Fi (29) 7mm x 48m
Telescopic system	Boom length Telescoping speed Boom type	2535m - 8575m 6.04m / 22 sec. Fully automatic 5 section pentagonal telescopic boom
Boom hoist system	Hoist angle / speed	0 - 80° / 14 sec.
Slew system	Slew angle / speed	360° continuous / 2.3 rpm
Outrigger system	Type Maximum extended dimensions	4 Multi position box type with lock valves (Length) 4580mm x (Front) 4530mm x (Rear) 3810mm
Traction system	Drive Travel speed Gradability Crawler length x width Ground pressure	Hydrostatic type, stepless forward and reverse 0 - 2.2 km/h 20° 975mm x 200mm 0.44 kg / cm ²
Engine	Model Type Rated output Starting method Fuel / Fuel tank capacity	Yanmar 2TNE68-ME 2 cylinder water cooled diesel 6.57 Kw / 2600 rpm Electric Diesel / 12L
Electric motor MC285CRME	Type Size	Fully enclosed fan cooled motor 5.5 Kw 4P 400V
Remote control system	Type	Cable remote controller, micro-speed mode, outrigger operation.
Dimensions	Length x Width x Height MC285CRM Weight MC285CRM Length x Width x Height MC285CRME Weight MC285CRME	2715mm x 750mm x 1440mm 1720kg 3285mm x 750mm x 1440mm 1900kg
Standard equipment		Working light, hour-meter, 4-fall hook block, black rubber tracks and safe load indicator.
Optional equipment		White rubber tracks, single fall hook, two fall hook, searcher hook (300kg max. capacity, weight approx 30kg), radio remote control.

Maeda MC285CRM(E) Dimensions

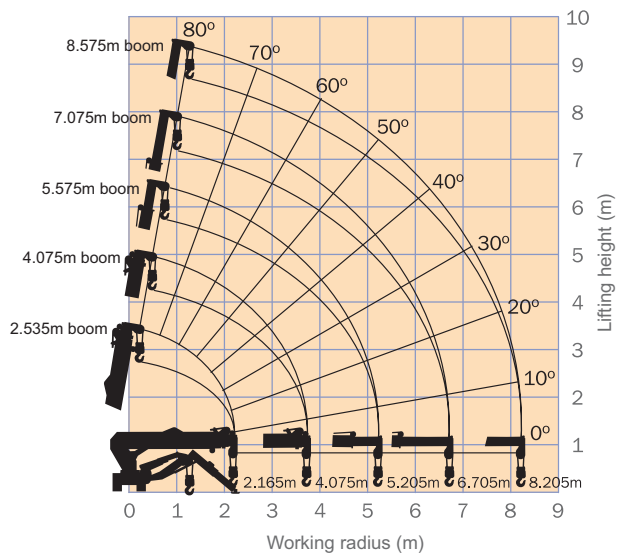
Overall Size



Outrigger Spread Dimensions



Working Range Chart



The Working Range Chart does not take into account boom deflection under load.

The maximum reach below ground level is:

Four Fall	Two Fall	Single Fall
10.10m	20.20m	40.20m



Maeda MC285CRM(E) Load Charts

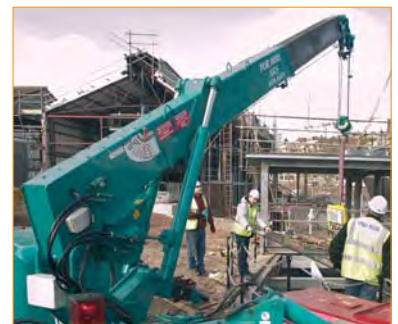
Total rated load Outriggers at Maximum position

4.075m boom		5.575m boom		7.075m boom		8.575m boom	
Working radius (m)	Total rated load (kg)	Working radius (m)	Total rated load (kg)	Working radius (m)	Total rated load (kg)	Working radius (m)	Total rated load (kg)
< 1.4	2820	< 3.0	1220	< 3.6	820	< 4.0	550
1.5	2520	3.5	970	4.0	740	4.5	400
2.0	1920	4.0	780	4.5	580	5.0	340
2.5	1570	4.5	630	5.0	480	5.5	300
3.0	1220	5.0	530	5.5	430	6.0	270
3.5	970	5.205	530	6.0	380	6.5	230
3.705	920			6.5	350	7.0	200
				6.705	330	7.5	180
						8.0	150
						8.205	150



Total rated load Outriggers at any other position

4.075m boom		5.575m boom		7.075m boom		8.575m boom	
Working radius (m)	Total rated load (kg)	Working radius (m)	Total rated load (kg)	Working radius (m)	Total rated load (kg)	Working radius (m)	Total rated load (kg)
< 1.5	1720	< 3.0	510	< 3.6	400	< 4.0	330
2.0	1070	3.5	410	4.0	330	4.5	280
2.5	630	4.0	330	4.5	280	5.0	230
3.0	520	4.5	280	5.0	230	5.5	180
3.5	430	5.0	230	5.5	180	6.0	160
3.705	350	5.205	200	6.0	160	6.5	150
				6.5	150	7.0	100
				6.705	140	7.5	80
						8.0	70
						8.205	60



The Total Rated Load Charts are based on the actual working radius including boom deflection. The weight of the hook (standard 4 fall - 20kg) must be included as part of the load shown in the Total Rated Load Charts.

When using two fall or single fall hooks, use the appropriate four fall Total Rated Load Chart above but with a **maximum load** of: Two Fall - 1410kg, Single Fall - 710kg.





Kranlyft

Maeda MC305CRM(E)

Technical specifications



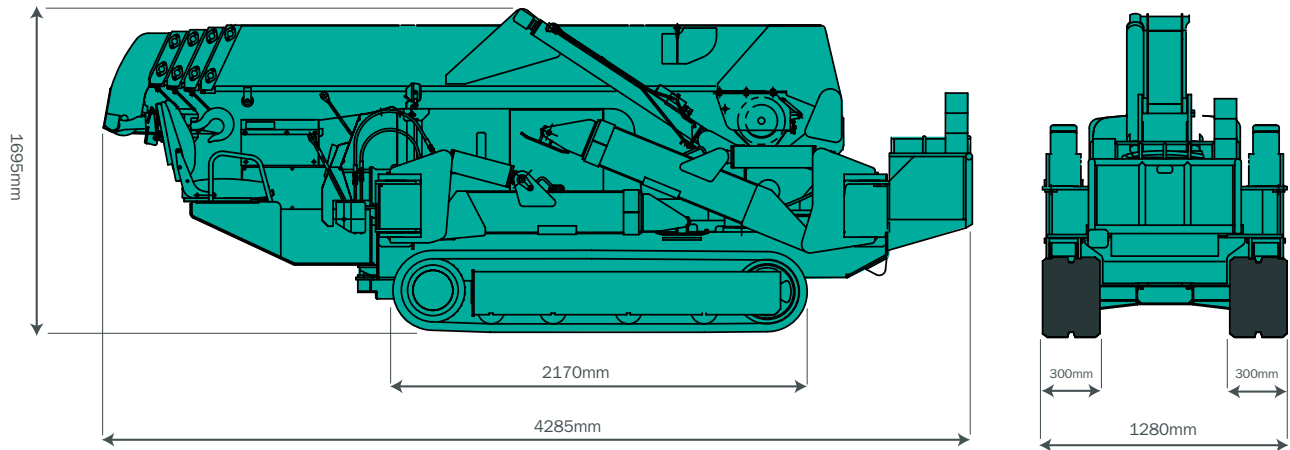
Offering the best balance of power and design

- Two Travel Speeds
- Programmable Moment Limiter
- Rubber Tracks
- Hydrostatic Transmission
- Centralised Controls
- 4 Fall / 2 Fall Hook Block
- Automatic Hook Stowage System
- Tilt Sensor/Alarm
- Powerful Winch with Hydraulic Disc Brake
- Two Speed Winch
- Fully Automatic Pentagonal Section Boom
- Cable Remote Controller

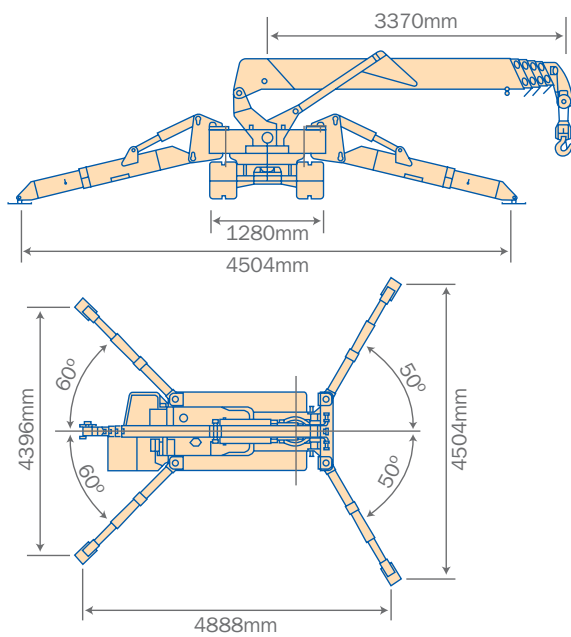
Specification		
Model		MC305CRM(E)
Crane capacity		2.98t x 2.5m
Max. working radius		12.16m
Max. lifting height		12.52m
Hook speed		13.5m / min. (4 falls, 4th layer)
Single line speed		54m / min. (4th layer)
Hoist rope		IWRC 6 x WS(26) 8mm x 73m
Telescopic system	Boom length Telescoping speed Boom type	3.695m - 12.485m 8.79m / 26 sec. (38 sec.) Fully automatic 5 section pentagonal telescopic boom
Boom hoist system	Hoist angle / speed	0 - 80° / 14.5 sec. (21 sec.)
Slew system	Slew angle / speed	360° / 2.4 rpm (1.7 rpm)
Outrigger system	Type Maximum extended dimensions	Extension and set up by direct acting hydraulic cylinders (Length) 4888mm x (Front) 4504mm x (Rear) 4396mm
Traction system	Drive Travel speed Gradability Crawler length x width Ground pressure	Hydraulic motor driven, stepless speed changer 0 - 2.8 km/h (1.3 km/h) 23° 1750mm x 300mm 36.3 kpa (0.37 kgf/cm ²)
Engine	Model Type Rated output Starting method Fuel / Fuel tank capacity	Yanmar 3TNV76 3 cylinder water cooled diesel 15.2kw / 2500min ⁻¹ (20.7PS/2500rpm) Electric Diesel / 40L
Electric motor MC305CRME	Type Size	Totally enclosed fan-cooled motor 5.5kw, 4P 380V
Remote control system	Type	Cable remote controller, micro-speed mode, load display for transmitter, outrigger operation
Dimensions	Length x Width x Height Weight MC305CRM Weight MC305CRME	4285mm x 1280mm x 1695mm 3900kg 4040kg
Standard equipment		Overwind protection, load indicator, hydraulic safety valve, wire rope latch, level, machine body inclination alarm, EMO switch, travel lock lever, outrigger interlock device, moment limiter, rotary lamp, hour-meter, 4-fall / 2-fall hook block
Optional equipment		Radio remote control, white rubber tracks, single fall hook, searcher hook.

Maeda MC305CRM(E) Dimensions

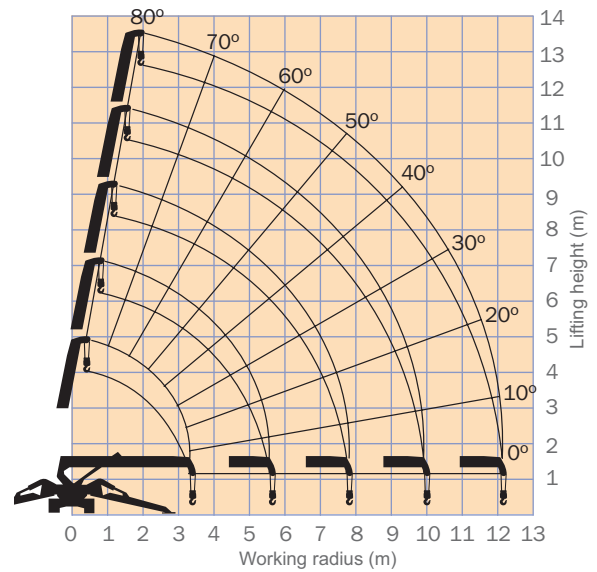
Overall Size



Outrigger Spread Dimensions



Working Range Chart



The Working Range Chart does not take into account boom deflection under load.

The maximum reach below ground level is:

Four Fall	Two Fall	Single Fall
16.09m	32.18m	64.36m



Maeda MC305CRM(E) Load Charts

Total rated load Outriggers at Maximum position

5.945m boom		8.145m boom		10.315m boom		12.485m boom	
Working radius (m)	Total rated load (kg)	Working radius (m)	Total rated load (kg)	Working radius (m)	Total rated load (kg)	Working radius (m)	Total rated load (kg)
< 2.5	2980	2.7	2270	4.0	1080	< 4.5	790
3.0	2390	3.0	2120	4.5	985	5.0	660
3.5	1990	3.5	1680	5.0	880	6.0	520
4.0	1710	4.0	1440	6.0	770	7.0	430
4.5	1490	4.5	1260	7.0	670	8.0	380
5.0	1340	5.0	1110	8.0	570	9.0	340
5.62	1160	5.5	990	9.0	500	10.0	310
		6.0	880	9.99	435	11.0	280
		7.0	730			12.16	260
		7.82	630				

Total rated load Outriggers at Intermediate position

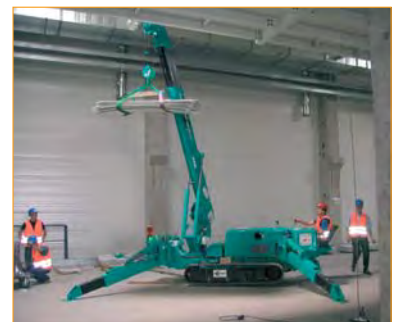
5.945m boom		8.145m boom		10.315m boom		12.485m boom	
Working radius (m)	Total rated load (kg)	Working radius (m)	Total rated load (kg)	Working radius (m)	Total rated load (kg)	Working radius (m)	Total rated load (kg)
< 2.5	2980	2.7	2270	4.0	1060	< 4.5	780
3.0	2390	3.0	2090	4.5	950	5.0	650
3.5	1960	3.5	1680	5.0	860	6.0	500
4.0	1680	4.0	1420	6.0	750	7.0	410
4.5	1380	4.5	1240	7.0	630	8.0	360
5.0	1140	5.0	1070	8.0	490	9.0	320
5.62	950	5.5	950	9.0	410	10.0	290
		6.0	800	9.99	350	11.0	260
		7.0	610			12.16	250
		7.82	520				

Total rated load Outriggers at Minimum position

5.945m boom		8.145m boom		10.315m boom		12.485m boom	
Working radius (m)	Total rated load (kg)	Working radius (m)	Total rated load (kg)	Working radius (m)	Total rated load (kg)	Working radius (m)	Total rated load (kg)
< 2.5	2980	2.7	2270	4.0	1060	< 4.5	780
3.0	2350	3.0	2090	4.5	950	5.0	650
3.5	1800	3.5	1680	5.0	860	6.0	500
4.0	1430	4.0	1370	6.0	680	7.0	410
4.5	1140	4.5	1120	7.0	530	8.0	360
5.0	950	5.0	910	8.0	420	9.0	320
5.62	790	5.5	790	9.0	340	10.0	290
		6.0	670	9.99	300	11.0	240
		7.0	510			12.16	210
		7.82	430				

The Total Rated Load Charts are based on the actual working radius including boom deflection. The weight of the hook (standard 4 fall - 30kg) must be included as part of the load shown in the Total Rated Load Charts.

When using two fall or single fall hooks, use the appropriate four fall Total Rated Load Chart above but with a **maximum** load of: Two Fall - 1480kg, Single Fall - 750kg.





Kranlyft

Maeda MC405CRM(E) Technical specifications



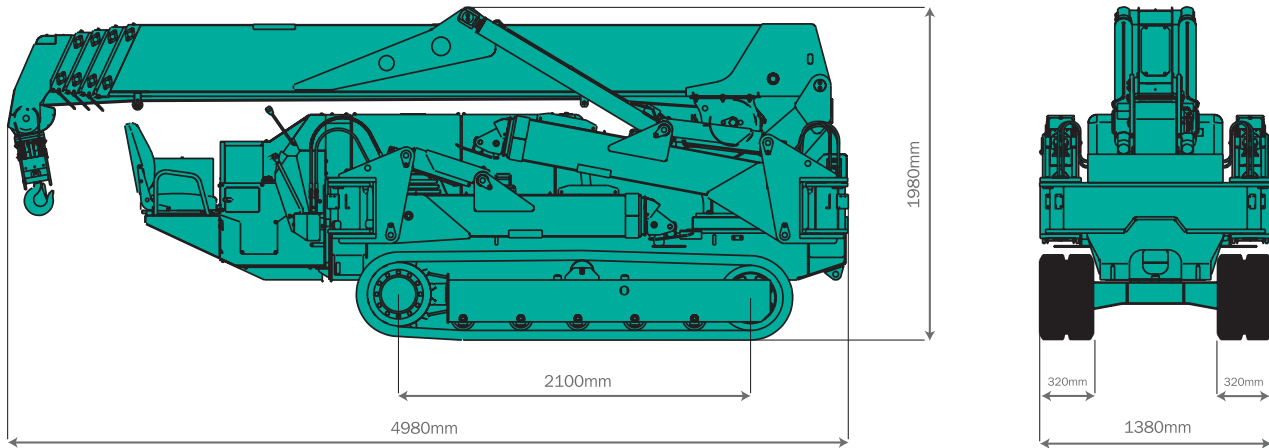
Offering the best
balance of power
and design

- Pick & Carry Duty
(300kg maximum)
- Two Travel Speeds
- Programmable
Moment Limiter
- 1130kg at 5.0m radius
on 16.43m boom
- Rubber Tracks
- Hydrostatic
Transmission
- Centralised Controls
- 4 Fall / 2 Fall
Hook Block
- Automatic Hook
Stowage System
- Tilt Sensor/Alarm
- Powerful Winch with
Hydraulic Disc Brake
- Two Speed Winch
- Fully Automatic
Pentagonal
Section Boom
- Cable Remote
Controller

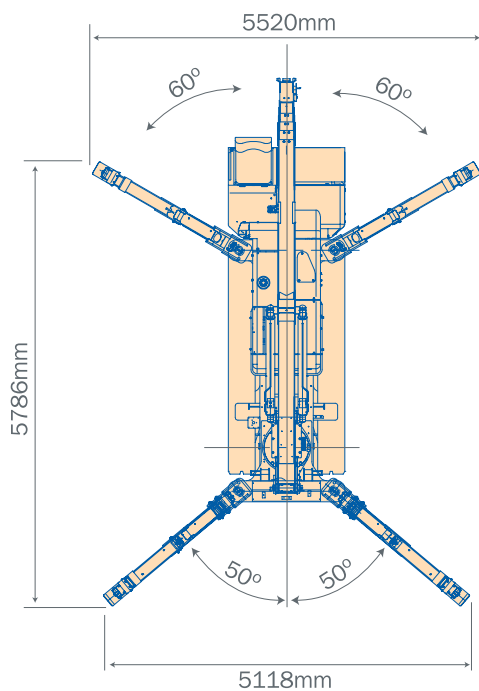
Specification		
Model		MC405CRM(E)
Crane capacity		3.83t x 2.7m
Max. working radius		16m
Max. lifting height		16.8m
Hook speed		10m / min. (18.0m / min.) (4 falls, 4th layer)
Single line speed		40m / min. (72.0m / min.) (4th layer)
Hoist rope		IWRC 6 x WS(26) 8mm x 95m
Telescopic system	Boom length Telescoping speed Boom type	4.735m - 16.475m 11.7m / 54.2 sec (41.3sec) Fully automatic 5 section pentagonal telescopic boom
Boom hoist system	Hoist angle / speed	0° - 80° / 24.5 sec (17.0 sec)
Slew system	Slew angle / speed	360° / 2.1 rpm (2.5 rpm)
Outrigger system	Type Maximum extended dimensions	Extension and set up by direct acting hydraulic cylinders (Length) 5786mm x (Front) 5118mm x (Rear) 5520mm
Traction system	Drive Travel speed Gradability Crawler length x width Ground pressure	Hydraulic motor driven, stepless speed changer 0 - 3.3 km/h 20° 2100mm x 320mm 49.0 (0.50) kpa (kgf/cm ²)
Engine	Model Type Rated output Starting method Fuel / Fuel tank capacity	Yanmar 3TNV88-PMB 3 cylinder water cooled diesel 21.8kw/2400min-1 (29.6PS/2400rpm) Electric Diesel/60L
Electric Motor MC405CRME	Type Size	Totally enclosed fan-cooled motor 7.5kw, 4P 380V
Remote control system	Type	Cable remote controller, micro-speed mode, load display for transmitter, outrigger operation
Dimensions	Length x Width x Height Weight MC405CRM Weight MC405CRME	4980mm x 1380mm x 1980mm 5600kg 5750kg
Standard equipment		Overwind protection, load indicator, hydraulic safety valve, wire rope latch, level, machine body inclination alarm, EMO switch, travel lock lever, outrigger interlock device, moment limiter, rotary lamp, 4-fall / 2-fall hook block.
Optional equipment		Radio remote control, white rubber tracks, single fall hook, searcher hook, fly-jib.

Maeda MC405CRM(E) Dimensions

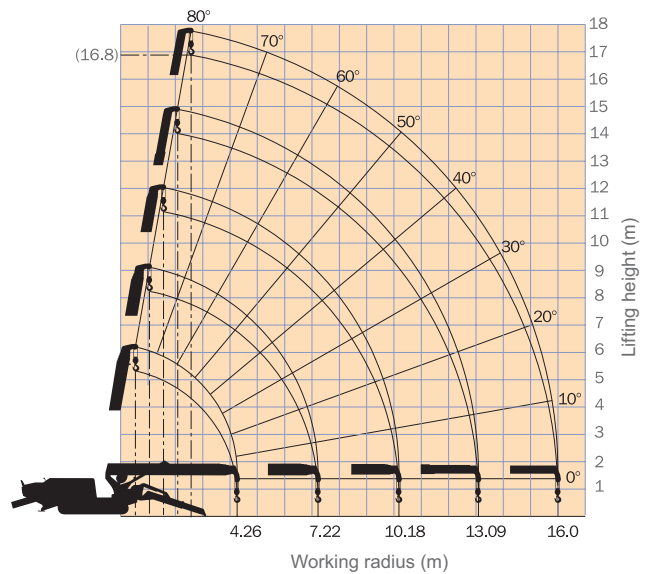
Overall Size



Outrigger Spread Dimensions



Working Range Chart



The Working Range Chart does not take into account boom deflection under load.

The maximum reach below ground level is:

Four Fall	Two Fall	Single Fall
20.50m	41.00m	82.00m



Maeda MC405CRM(E) Load Charts

Total rated load (4 falls) Outriggers at Maximum position

4.735m/7.695m boom		10.655m boom		13.565m boom		16.475m boom	
Working radius (m)	Total rated load (kg)	Working radius (m)	Total rated load (kg)	Working radius (m)	Total rated load (kg)	Working radius (m)	Total rated load (kg)
< 2.7	3830	3.5	3030	4.0	2230	5.0	1130
3.5	3030	4.0	2580	4.5	1930	5.5	980
4.0	2580	5.0	2030	5.0	1730	6.0	910
5.0	2030	6.0	1680	6.0	1400	7.0	760
6.0	1680	7.0	1380	7.0	1180	8.0	650
7.0	1380	8.0	1130	8.0	1030	9.0	600
7.25	1330	9.0	880	9.0	930	10.0	550
		10.2	580	10.0	830	11.0	490
				11.0	690	12.0	440
				12.0	530	13.0	380
				13.1	430	14.0	320
						15.0	260
						16.0	210

Total rated load (4 falls) Outriggers at Intermediate position

4.735m/7.695m boom		10.655m boom		13.565m boom		16.475m boom	
Working radius (m)	Total rated load (kg)	Working radius (m)	Total rated load (kg)	Working radius (m)	Total rated load (kg)	Working radius (m)	Total rated load (kg)
< 2.7	3830	3.5	3030	4.0	2230	5.0	1130
3.5	3030	4.0	2580	4.5	1830	5.5	980
4.0	2580	5.0	1880	5.0	1630	6.0	910
5.0	1880	6.0	1430	6.0	1330	7.0	730
6.0	1430	7.0	1130	7.0	1080	8.0	630
7.0	1160	8.0	880	8.0	880	9.0	550
7.25	1120	9.0	740	9.0	730	10.0	480
		10.2	490	10.0	530	11.0	430
				11.0	480	12.0	380
				12.0	430	13.0	330
				13.1	330	14.0	280
						15.0	220
						16.0	180

Total rated load (4 falls) Outriggers at Minimum position

4.735m/7.695m boom		10.655m boom		13.565m boom		16.475m boom	
Working radius (m)	Total rated load (kg)	Working radius (m)	Total rated load (kg)	Working radius (m)	Total rated load (kg)	Working radius (m)	Total rated load (kg)
< 2.7	3830	3.5	3030	4.0	2230	5.0	1130
3.5	3030	4.0	2580	4.5	1830	5.5	980
4.0	2580	5.0	1680	5.0	1630	6.0	880
5.0	1680	6.0	1180	6.0	1180	7.0	730
6.0	1180	7.0	880	7.0	830	8.0	530
7.0	930	8.0	730	8.0	680	9.0	450
7.25	780	9.0	580	9.0	550	10.0	420
		10.2	400	10.0	430	11.0	370
				11.0	380	12.0	330
				12.0	350	13.0	280
				13.1	310	14.0	240
						15.0	190
						16.0	150



The Total Rated Load Charts are based on the actual working radius including boom deflection. The weight of the hook (standard 4 fall - 30kg) must be included as part of the load shown in the Total Rated Load Charts.

When using two fall or single fall hooks, use the appropriate four fall Total Rated Load Chart above but with a **maximum load** of: Two Fall - 1930kg, Single Fall - 970kg.





Kranlyft

Maeda LC785

Technical specifications

Offering the best balance of power and design

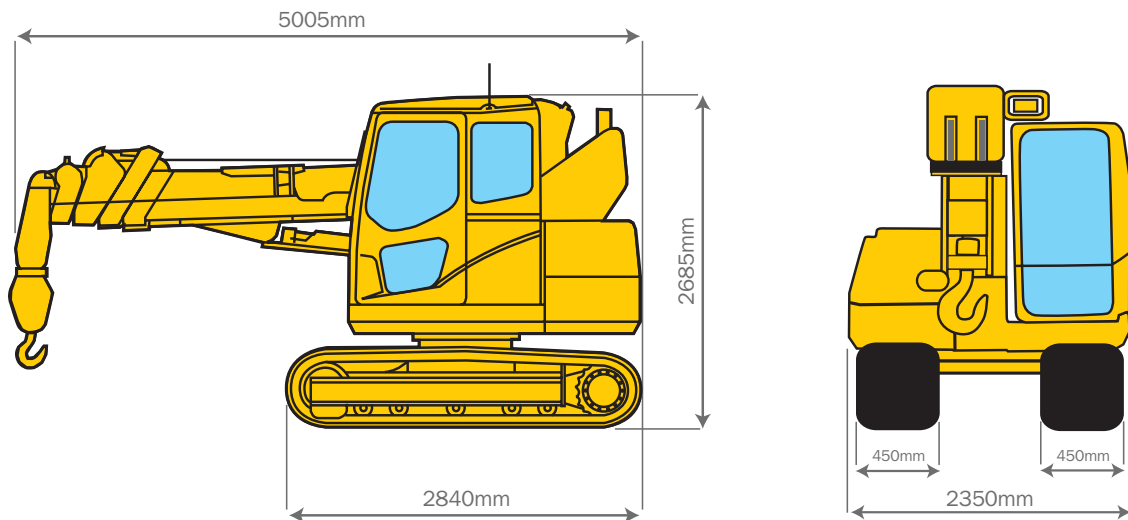


- 2000kg Pick & Carry Duty
- Two Travel Speeds
- Programmable Moment Limiter
- Steel Tracks
- Hydrostatic Transmission
- Fully Enclosed Air Conditioned Cab
- 4 Fall / 2 Fall Hook Block
- Tilt Sensor/Alarm
- Powerful Winch with Hydraulic Disc Brake
- Two Speed Winch
- Fully Automatic Pentagonal Section Boom
- Minimal Tail Swing

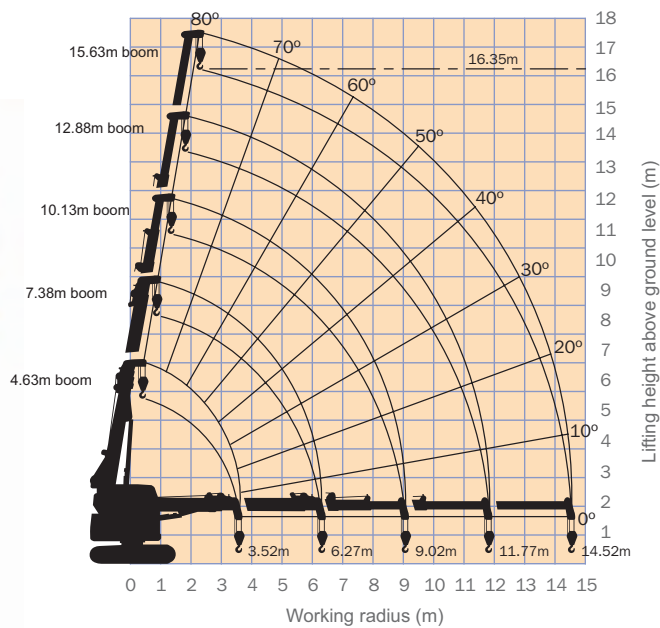
Specification		
Model		LC785
Crane capacity		4.9 t x 2.1m
Max. working radius		14.52m
Max. lifting height		16.35m
Hook speed		Two speed 27 / 39m / min. (4 falls, 4th layer)
Single line speed		Two speed 108 / 156m / min. (4th layer)
Hoist rope		IWRC 6 x Fi (29) 10mm x 115m
Telescopic system	Boom length Telescoping speed Boom type	4.63m - 15.63m 11m / 24.5 sec Fully automatic 5 section pentagonal telescopic boom
Boom hoist system	Hoist angle / speed	- 2° to 80° (12.5 sec.)
Slew system	Slew angle / speed	360° continuous / 2.4 rpm
Drive		Both sides independent steering control, hydraulic piston motor with in-built automatic brake, planet reduction gears, sprocket crawler.
Traction speed	Travel speed – low Travel speed – high Gradability Crawler length x width Ground pressure	0 – 2.5 km/h 0 – 3.8 km/h 20° 1,870mm x 450mm 46.8 kpa / cm ² (0.48 kg / cm ²)
Engine	Model Type Rated output Fuel / Fuel tank capacity	Komatsu S4D95LE-3-A 4 cylinder diesel, water cooled, direct injection 40.5 Kw (55PS) / 1850rpm Diesel / 141 L
Dimensions	Length x Width x Height Weight	5005mm x 2350mm x 2685mm 9700kg
Standard equipment		Safe load indicator, steel tracks, 4-fall / 2-fall hook block, working light, hour-meter and inclination alarm.
Optional equipment		Single fall hook, rubber pads (400kg), fly-jib.

Maeda LC785 Dimensions

Overall Size



Working Range Chart



The Working Range Chart does not take into account boom deflection under load.

The maximum reach below ground level is:

Four Fall	Two Fall	Single Fall
25.10m	51.30m	104.50m



Maeda LC785 Load Charts

Total rated load

4.63m boom		7.38m boom		10.13m boom		12.88m boom		15.63m boom	
Working radius (m)	Total rated load (kg)	Working radius (m)	Total rated load (kg)	Working radius (m)	Total rated load (kg)	Working radius (m)	Total rated load (kg)	Working radius (m)	Total rated load (kg)
2.0	4900	2.0	4900	2.0	2600	2.0	2000	2.0	
2.5	3800	2.5	3760	2.5	2600	2.5	2000	2.5	1400
3.0	2900	3.0	2980	3.0	2310	3.0	2000	3.0	1400
3.5	2290	3.5	2420	3.5	2010	3.5	1890	3.5	1400
4.0		4.0	2000	4.0	1750	4.0	1650	4.0	1400
4.5		4.5	1670	4.5	1530	4.5	1450	4.5	1320
5.0		5.0	1400	5.0	1340	5.0	1280	5.0	1200
6.0		6.0	1000	6.0	1030	6.0	1010	6.0	990
7.0		7.0		7.0	780	7.0	800	7.0	820
8.0		8.0		8.0	580	8.0	630	8.0	680
9.0		9.0		9.0	410	9.0	500	9.0	560
10.0		10.0		10.0		10.0	390	10.0	450
11.0		11.0		11.0		11.0	300	11.0	360
12.0		12.0		12.0		12.0		12.0	280
13.0		13.0		13.0		13.0		13.0	210
14.0		14.0		14.0		14.0		14.0	200
14.52		14.52		14.52		14.52		14.52	200



Pick & Carry duties

4.63m boom		7.38m boom		10.13m boom	
Working radius (m)	Total rated load (kg)	Working radius (m)	Total rated load (kg)	Working radius (m)	Total rated load (kg)
2.00	2000	2.00	2000	2.00	1400
2.50	2000	2.50	2000	2.50	1400
3.00	1670	3.00	1700	3.00	1360
3.50	1330	3.50	1380	3.50	1170
		4.00	1140	4.00	1020
		4.50	960	4.50	890
		5.00	810	5.00	770
		5.50	690	5.50	680
		6.00	590	6.00	590
		6.27	540	6.27	550
				6.50	510
				7.00	440
				7.50	380
				8.00	320
				8.50	270
				9.00	230
				9.02	230

Pick & Carry duties are available at boom lengths up to 10.13 metres.

The Total Rated Load Charts are based on the actual working radius including boom deflection. The weight of the hook (standard 4 fall - 90kg) must be included as part of the load shown in the Total Rated Load Charts.

When using two fall or single fall hooks, use the appropriate four fall Total Rated Load Chart above but with a **maximum load** of: Two Fall - 2450kg, Single Fall - 1220kg.

