

Teupen Leo 23 GT

class 21m-24m



CASE STUDY

Nature of job:
Indoor work in new offices

Reason for choosing this Spider Lift:
Good outreach to get over obstacles, variable jacking to work in narrow areas

The 23m Teupen was used at various times throughout the construction of a brand new office block in London.



Its compact size allowed it to gain access through the narrow doorway. This particular Spider Lift proves popular due to its variable jacking and large 11.20m outreach, allowing workers to set the machine up in small, enclosed places.



Non-marking tracks were suitable to use on the recently laid tile floor.



DE



🕒 setup time 7:10 engine 10:50 battery

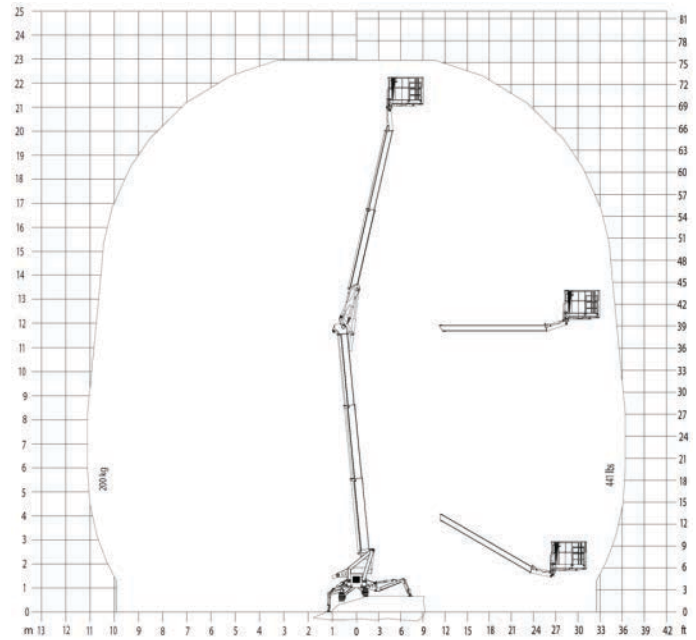
WORKING HEIGHT	23.00m
WEIGHT	3,100kg
OUTREACH	11.20m
LENGTH	6.20m
WIDTH	0.98m

KEY FEATURES

- Articulated:** Up and over clearance.
- Extendable jib:** Extendable jib gives additional reach.
- Auto-level:** Allows the machine to level itself on any terrain.
- Adjustable track system:** Allows narrowing and lowering for passing entrance or widening the footprint and giving additional ground clearance.

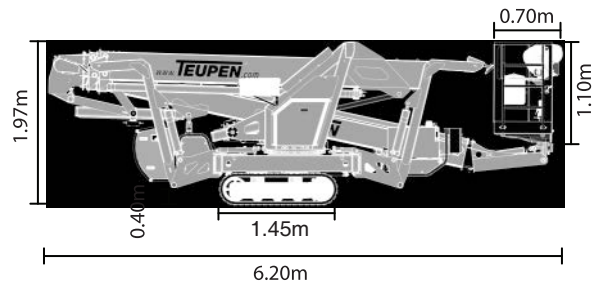
SPECIFICATIONS

Specification		Metric	Imperial
Working Height		23.00m	75ft 6in
Platform Height		21.20m	69ft 7in
Working Outreach		11.20m	36ft 9in
Slew		360°	-
Width	Travelling	0.98m	3ft 3in
	Max. Working	4.33m	14ft 2in
	Min. Working	2.58m	8ft 6in
Length	Travelling	6.20m	20ft 4in
	Max. Outgigger	5.97m	19ft 7in
	Min. Outrigger	4.53m	14ft 10in
Height		1.97m	6ft 6in
Minimum Setup Area		4.65m x 6.20m	15ft 3in x 20ft 4in
Minimum Weight		3,100kg	6,836lb
Platform Capacity		200kg	440lb
Platform Size		1.4m x 0.7m x 1.1m	55in x 28in x 43in
Track Surface Area		1.45m x 0.2m	57in x 8in
Outrigger Plate		0.19m x 0.16m	7in x 6in
Drive Speed		1.3kph	0.8mph
Maximum Setup Incline		27% (15.5°)	-
Gradeability		30% (16.7°)	-
No. Outrigger Positions		2	



FLOOR LOADINGS

Surface	Metric	Imperial
Max. Load per Outrigger	2,305kgf	5,081lbf
Max. Track Surface Pressure (Soft Ground)	0.4kg/cm ²	813lb/ft ²
Max. Surface Pressure on each Outrigger	7.58kg/cm ²	15,530lb/ft ²



PLUG-IN VOLTAGE



240V, 16Amp
Operates drive and boom functions.

CRANING

- The aerial access platform must be in the transport position.
- Slings and chains must be the same length and sufficiently long.
- Attach slings or chains with shackles on all four lashing eyes (as shown below).
- Align the arm of the crane so that the lifting accessories are evenly loaded.
- If necessary, protect the paint of the aerial access platform.

